

# CL3500 Series

## Heavy-Duty Cylindrical Lever Locksets

A heavy-duty Grade 1 lever lockset, the CL3500 series is ideal for commercial, institutional and multi-family applications. Designed to continue the look of the cylindrical lockset family, the CL3500 lockset complements the CL3300 Series Extra Heavy-Duty Grade 1 and CL3800 Series Standard-Duty Grade 2 Locksets. Best of all, when you combine the cylindrical lockset series throughout your facility, the overall cost of your project is reduced without compromising functionality and durability.



**Corbin  
Russwin** 

**ASSA ABLOY**

# CL3500 Series

## Heavy-Duty Cylindrical Lever Locksets



### Features

#### Handing

Non-handed.

#### Door Thickness

1-3/8" - 2" standard.

#### Backset

2-3/4" standard.

Optional: 2-3/8", 3-3/4" and 5".

#### Lock Chassis

Steel, zinc dichromated for corrosion resistance.

#### Front

Brass, Bronze or Stainless Steel. 2-1/4" x 1-1/8" standard for 2-3/4", 3-3/4" and 5" backset. 2-1/4" x 1" standard for 2-3/8" backset. Accommodates flat doors and doors beveled 1/8" in 2".

Optional: rounded corner fronts; 1" fronts for 2-3/4" backset (standard for 2-3/8" backset).

#### Latchbolt

Brass, chrome plated with 1/2" throw.

#### Auxiliary Latchbolt

Deadlocking latchbolt prevents manipulation when door is closed.

#### Strike

Wrought brass or stainless steel ANSI curved lip, 4-7/8" x 1-1/4" x 1-1/4" lip to center standard.

Optional strikes, lip lengths and ANSI wrought strike box available.

#### Cylinder

Brass, 6-pin, L4 keyway, "O" bitted standard. Optional Cylinders available.

#### Keying Features Available

7-pin

Master keying

Construction master keying

Visual key control

Concealed key control

Interchangeable core (IC)

Security

Security IC

Pyramid Security

Pyramid Security IC

Pyramid High Security

Pyramid High Security IC

#### Keys

Two nickel-silver standard.

#### Warranty

Seven-year limited.

### Applications

#### Typical applications include:

- Interior offices
- Apartment complexes
- Convalescent and elderly care facilities
- Hotels
- Restaurants
- Retail centers
- Fine homes

#### Advantages

- Non-handed
- Solid cast levers
- Independent return springs to prevent lever sag
- Through-bolted cylindrical chassis prevents rotation and ensures proper alignment
- ANSI Grade 1 certification
- Trim and keying compatible with other Corbin Russwin locksets

### Certification/Compliance

#### ANSI

A156.2 Series 4000, Grade 1. Meets 117.1 Accessibility Code.



#### C-UL US

All locks listed for "A" label and lesser class single doors, 4' x 10'. Letter F and UL symbol on latch front indicate listing.



#### Federal

Meets FF-H-106C.

#### California State Reference Code

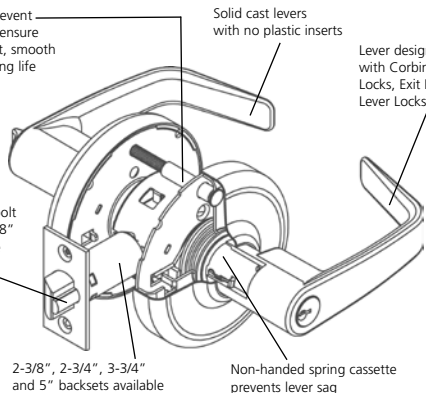
(Formerly Title 19, California State Fire Marshal Standard) All levers with returns comply; levers return to within 1/2" of door face.

Through-bolts prevent chassis rotation; ensure proper alignment, smooth operation and long life

Solid cast levers with no plastic inserts

Lever designs compatible with Corbin Russwin Mortise Locks, Exit Devices and other Lever Locksets

1/2" throw latchbolt accommodates 7/8" and 1" edge bore preps

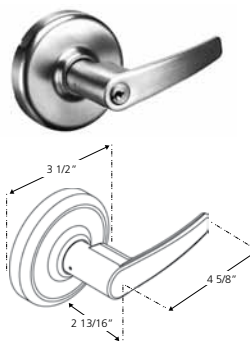


2-3/8", 2-3/4", 3-3/4" and 5" backsets available

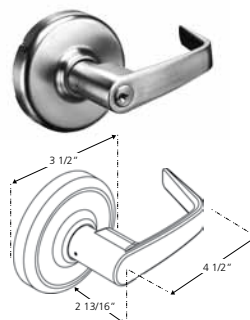
Non-handed spring cassette prevents lever sag



#### AZD lever



#### NZD lever



### Finishes

605	Bright brass
606	Satin brass
611	Bright bronze
612	Satin bronze
613	Dark oxidized satin bronze, oil rubbed <sup>1</sup>
619	Satin nickel
625	Bright chromium plated
626	Satin chromium plated
722	Black oxidized bronze, oil rubbed <sup>2</sup>

Zinc levers are plated to match BHMA finish.

<sup>1</sup> New, March 2007

<sup>2</sup> Formerly 613 prior to March 2007

**Corbin Russwin**

**ASSA ABLOY**

Corbin Russwin  
Architectural Hardware  
225 Episcopal Road  
Berlin, CT 06037  
Phone 800-543-3658  
Fax 800-447-6714  
corbinrusswin.com

Corbin Russwin Architectural Hardware • 225 Episcopal Road • Berlin, CT 06037 • Phone: 800-543-3658 • Fax: 800-447-6714

Corbin Russwin and Design® is a registered trademark of Corbin Russwin, Inc., an ASSA ABLOY Group company. Other products' brand names may be trademarks or registered trademarks of their respective owners and are mentioned for reference purposes only. These materials are protected under US copyright laws. All contents current at time of publication. Corbin Russwin, Inc., an ASSA ABLOY Group Company, reserves the right to change availability of any item in this catalog, its design, construction, and/or its materials. Copyright © 2007, 2009 Corbin Russwin, Inc., an ASSA ABLOY Group company. All rights reserved. Reproduction in whole or in part without the express written permission of Corbin Russwin, Inc. is prohibited.  
45520-5/09R

ASSA ABLOY is the global leader in door opening solutions, dedicated to satisfying end-user needs for security, safety and convenience.